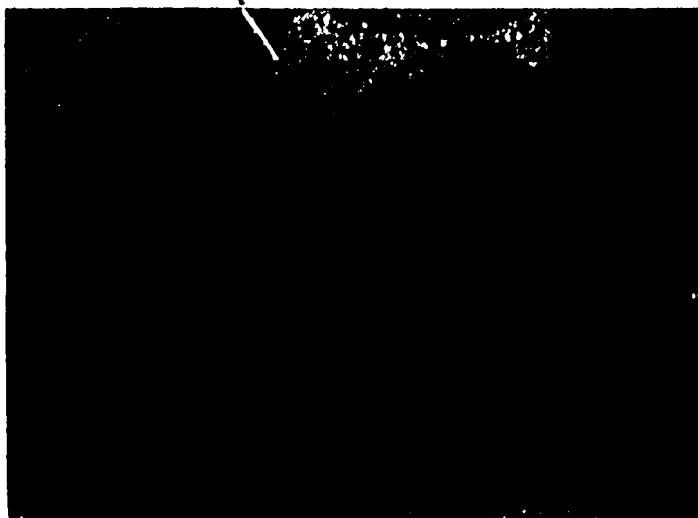




## INTERNATIONAL APPLICATION PUBLISHED UNDER THE PATENT COOPERATION TREATY (PCT)

(51) International Patent Classification <sup>9</sup> : <b>C04B 35/52, 35/78, 38/00, C10C 3/04, F16D 69/02</b>	<b>A1</b>	(11) International Publication Number: <b>WO 98/27023</b>
(21) International Application Number: PCT US97 22741		(43) International Publication Date: 25 June 1998 (25.06.98)
(22) International Filing Date: 10 December 1997 (10.12.97)	(81) Designated States: AL, AU, BA, BB, BG, BR, CA, CN, CU, CZ, EE, GE, GH, HU, ID, IL, IS, JP, KP, KR, LK, LR, LS, LT, LV, MG, MK, MN, MW, MX, NZ, PL, RO, RU, SD, SG, SI, SK, SL, TR, TT, UA, UZ, VN, YU, ZW, ARIPO patent (GH, GM, KE, LS, MW, SD, SZ, UG, ZW), Eurasian patent (AM, AZ, BY, KG, KZ, MD, RU, TJ, TM), European patent (AT, BE, CH, DE, DK, ES, FI, FR, GB, GR, IE, IT, LU, MC, NL, PT, SE), OAPI patent (BF, BJ, CF, CG, CI, CM, GA, GN, ML, MR, NE, SN, TD, TG).	
(30) Priority Data: 60 034,821 19 December 1996 (19.12.96) US 08 970,558 14 November 1997 (14.11.97) US		
(71) Applicant: ALLIEDSIGNAL INC. [US/US], 101 Columbia Road, P.O. Box 2245, Morristown, NJ 07962 2245 (US).		
(72) Inventors: MURDIE, Neil, Apartment #D, 1621 Riverside Drive, South Bend, IN 46616 (US); PARKER, Charles, A., 52199 Arrowhead Circle, Granger, IN 46530 (US); PIGFORD, James, F., 1005 Royal Vineyard, South Bend, IN 46637 (US); NARASIMHAN, Dave, 6 Summit Trail, Flemington, NJ 08822 (US); DILLON, Frank, 51732 James Lawrence Parkway, Granger, IN 46530 (US).		
(74) Agent: CRISS, Roger, H., AlliedSignal Inc., Law Dept. (E. Iannarone), 101 Columbia Road, P.O. Box 2245, Morristown, NJ 07962-2245 (US).	<p><b>Published</b> <i>With international search report.</i> <i>Before the expiration of the time limit for amending the claims and to be republished in the event of the receipt of amendments.</i></p>	
(54) Title: CARBON CARBON COMPOSITE MATERIAL MADE FROM DENSIFIED CARBON FOAM		

STRUT



## (57) Abstract

A carbon-carbon composite material is disclosed, comprising a dense network of carbon fibers. The material is formed by densifying carbon foam. The composite material is characterized by its high strength and stiffness, and is suitable for use in a variety of applications, including structural components and aerospace parts. The material is formed by densifying carbon foam, which results in a highly porous, interconnected network of carbon fibers. This structure provides the material with its unique properties, including high strength and stiffness. The composite material is formed by densifying carbon foam, which results in a highly porous, interconnected network of carbon fibers. This structure provides the material with its unique properties, including high strength and stiffness. The composite material is formed by densifying carbon foam, which results in a highly porous, interconnected network of carbon fibers. This structure provides the material with its unique properties, including high strength and stiffness.

**FOR THE PURPOSES OF INFORMATION ONLY**

Codes used to identify States party to the PCT on the front pages of pamphlets publishing international applications under the PCT.

AL	Albania	ES	Spain	LS	Lesotho	SI	Slovenia
AM	Armenia	FI	Finland	LT	Lithuania	SK	Slovakia
AT	Austria	FR	France	LU	Luxembourg	SN	Senegal
AU	Australia	GA	Gabon	LV	Latvia	SZ	Swaziland
AZ	Azerbaijan	GB	United Kingdom	MC	Monaco	TD	Chad
BA	Bosnia and Herzegovina	GE	Georgia	MD	Republic of Moldova	TG	Togo
BB	Barbados	GH	Ghana	MG	Madagascar	TJ	Tajikistan
BE	Belgium	GN	Guinea	MK	The former Yugoslav Republic of Macedonia	TM	Turkmenistan
BF	Burkina Faso	GR	Greece	ML	Mali	TR	Turkey
BG	Bulgaria	HU	Hungary	MN	Mongolia	TT	Trinidad and Tobago
BJ	Benin	IE	Ireland	MR	Mauritania	UA	Ukraine
BR	Brazil	IL	Israel	MW	Malawi	UG	Uganda
BY	Belarus	IS	Iceland	MX	Mexico	US	United States of America
CA	Canada	IT	Italy	NE	Niger	UZ	Uzbekistan
CF	Central African Republic	JP	Japan	NL	Netherlands	VN	Viet Nam
CG	Congo	KE	Kenya	NO	Norway	YU	Yugoslavia
CH	Switzerland	KG	Kyrgyzstan	NZ	New Zealand	ZW	Zimbabwe
CI	Côte d'Ivoire	KP	Democratic People's Republic of Korea	PL	Poland		
CM	Cameroon	KR	Republic of Korea	PT	Portugal		
CN	China	KZ	Kazakhstan	RO	Romania		
CU	Cuba	LC	Saint Lucia	RU	Russian Federation		
CZ	Czech Republic	LI	Liechtenstein	SD	Sudan		
DE	Germany	LK	Sri Lanka	SE	Sweden		
DK	Denmark	LR	Liberia	SG	Singapore		
EE	Estonia						

CARBON-CARBON COMPOSITE MATERIAL  
MADE FROM DENSIFIED CARBON FOAM

This patent application claims priority upon U.S. provisional patent  
5 application 60/034,821 filed December 19, 1996.

The present invention relates to the manufacture of a friction material by  
providing an open-celled foam preform and densifying the preform with  
carbonaceous material, and relates in particular to the manufacture of a friction  
material for aircraft brakes.

10 Carbon-carbon composites are widely used for aircraft brake friction  
materials. Carbon-carbon is attractive because it is lightweight and can  
operate at very high temperatures, and because it can, pound for pound,  
absorb a great deal of aircraft energy and convert it to heat. A major  
drawback with the use of carbon-carbon for this application is the high cost  
15 of raw material used to make the parts. Expensive carbon fiber is a  
significant component; sometimes up to 45% fiber is used in the composite.  
Fiber costs can often be the single largest contributor to the cost of making  
a friction material. Another drawback is that manufacture of carbon-carbon  
is a time-consuming process. The overall process for making a carbon  
20 brake disk is measured in weeks, and even months. Long cycle times are  
undesirable in a modern manufacturing environment. It is highly desirable  
to provide a process that has a reduced cost and shortened cycle time for  
making a carbon-carbon composite.

The inventions disclosed herein address those major drawbacks of  
25 manufacturing carbon-carbon composites: cost and cycle time. As pointed  
out by Hager and Lake ("Novel Hybrid Composites Based on Carbon  
Foams", Mat. Res. Soc. Symp. Proc., Vol. 270, (1992), pp. 29-33), it is  
possible to create a reticulated carbon foam structure from mesophase  
pitch. This structure would have substantial fiber-like properties. The foam  
30 could subsequently be used to reinforce or form a composite which would

be used, and the preform can be made in a single foaming step, instead of  
using a laborious process of manufacturing a needed carbon fabric, and

- 2 -

needing a preform, or making fiber prepregs which are compacted by subsequent molding.

The use of foam preforms for the manufacture of friction material is disclosed by Tsang et al. in US Patent 4,537,823. However, it is advantageous to: 1) use typically a graphitizable carbon foam from a mesophase pitch, rather than a glassy carbon foam, 2) fill the void spaces with a carbonaceous material, rather than a polymeric material or a slurry, and 3) provide foams with a pore size less than 500 $\mu$ m to facilitate subsequent densification.

Carbon foams made from mesophase pitch have been disclosed in Mehta et al., "*Graphitic Carbon Foams: Processing and Characterization*", American Carbon Society, 21st Biennial Conference on Carbon, Buffalo, NY, June 13-18, 1993. These foams were not densified because the foams were to be used for lightweight structural applications that did not require densification.

Also, foams of carbonaceous material have been known and methods of preparing them have been disclosed for absorption or filtration media and supports for catalysts, etc., and is generally made from polymeric precursors (thermosets and thermoplastics) which usually produce amorphous or non-crystalline carbons.

The present invention comprises the use of precursors that can produce carbon foam preforms which result a reticulated structure having struts with fiber-like properties. The struts can be either crystalline, anisotropic, graphitizable carbons so that high strength and modulus, as found in current pitch-based fibers, can be reproduced within the strut regions (as defined below) of the carbonaceous foam, or isotropic nongraphitizable carbon. The solid strut regions within the foam could be tens to thousands of microns in length and have a diameter of tens of microns in width, leaving interconnected voids of tens to hundreds of microns in diameter so that high final bulk densities can be obtained after CVD or liquid phase densification. The thin characteristics of the strut regions within the foam will allow the crystallites within the mesophase precursor carbon to become preferentially oriented along the axis of the strut mimicking the microstructures of carbon fibers. The bulk foam material can be controlled to provide either bulk isotropic or bulk anisotropic properties. Precursors include mesophase pitch, polyacrylonitrile

("PAN") and polyvinylchloride ("PVC") as well as some resins such as phenolic and furfuryl alcohol. Pitch precursors undergo liquid-crystal (mesophase) formation during pyrolysis and result in a carbon with crystalline order. Currently mesophase pitches are available that already have liquid crystal properties and provide an ideal precursor for foams. The term "resin" may be considered to encompass pitch when either pitch or resin is used as a precursor for carbonaceous materials. It is desired to produce foams with controllable pore structure which is interconnected (reticulated) so that it can be densified by either chemical vapor deposition ("CVD"), liquid phase densification processes such as Hot Isostatic Pressing ("HIP"), Pressurized Impregnation Carbonization ("PIC") Vacuum Pressure Infiltration ("VPI"), pitch or resin injection, or combinations of these densification processes.

The objectives of the disclosed inventions include:

- (1) Production of a graphitizable reticulated foam preform in which the "strut" structure mimics the properties of carbon fibers (to produce a direct substitute for carbon fiber preforms). Fiber-like properties are obtained within the strut members by use of a liquid crystal precursor (such as mesophase pitch) and strain action (both longitudinal and shear) occurring during the foaming process (alignment of the liquid crystals along the struts created during foaming and enhanced during subsequent heat treatment processing).
- (2) Production of a non-graphitizable, reticulated foam preform structure and subsequently deposit graphitizable material around the strut members so as to mimic the properties of a fiber. The graphitizable material may be deposited by CVD or wetting of the strut surfaces by a liquid crystal material.
- (3) Production of a foam preform with a reticulated structure capable of being further densified by the conventional processes discussed above. The porosity created by the reticulated structure allows the diffusion of gases or the infusion of liquids into the interior of the structure.
- (4) Producing foam preforms suitable for manufacture of carbon-carbon

densified with carbon or a carbonizable material or other fillers to enhance structural, thermal or tribological properties, and to produce a friction material or

thermal management material, or structural material. The combined composite should possess the structural, thermal and/or tribological properties required for friction materials, thermal management materials, and structural materials applications.

5           The disclosed inventions provide advantages over prior methods of making carbon-carbon composite friction materials:

          (1) Mesophase pitch as well as other selected thermoplastic precursors produce high quality crystalline graphitizable carbons. In addition, the strut regions of the carbon foam provide a continuous network  
10 of fibrous reinforcement, as compared with discontinuous reinforcement found in fiber reinforced composites. Therefore, foam preforms should lead to improved thermal transport. Thermal transport is an important consideration in aircraft brake heat sinks and in thermal management materials.

15           (2) The foam preform approach is expected to be inherently less costly than the use of carbon fibers in carbon-carbon composites because less processing is needed.

          (3) Near net shape forming of the final part may be possible with foams because they can be readily molded or extruded.

20           (4) The foam preform bulk properties are expected to be controllable and homogeneously isotropic or anisotropic. In addition, it is expected material property anisotropy may be controlled using processing variables or post foaming processes.

          The present disclosure provides solutions to the above by comprising  
25 a process of manufacturing a carbon-carbon composite material, comprising the steps of providing an open-celled carbon foam preform, and densifying the preform with carbonaceous material to provide the carbon-carbon composite material.

30           Figure 1 is a photograph of a polished cross-section of a solidified pitch after heat treatment to a partial mesophase state;

          Figure 2 is a schematic illustration of the alignment of mesophase crystals during extrusion through a die;

- 5 -

Figure 3 is a photograph of a mesophase foam showing striations or alignment of the material of the foam;

Figure 4 is a schematic illustration of an extrusion system for pitch based foams.

5 Figure 5 is a graph illustrating the pressure/temperature cycle for foaming

Figure 6 is a graph illustrating the hypothesized viscosity/temperature relationship for foaming;

Figure 7 is a graph illustrating the difference in weight gain upon oxidation when pores of a foam are open;

10 Figure 8 is a schematic illustration of a system for stabilizing a pitch foam.

Figures 9-12 are graphs illustrating pressure and temperature cycles for stabilizing a pitch foam;

Figure 13 is a schematic illustration of a vacuum/pressure chamber for enhancing oxygen flow during stabilization of a pitch foam;

15 Figure 14 is a graph of pressure and time and part weight gain resulting from enhanced oxygen flow during stabilization;

Figure 15 is a graph illustrating the weight gain effected by the pressure chamber device of Figure 13 and an air circulating oven;

20 Figure 16 is a schematic illustration of a continuous flow device for enhancing oxygen flow during stabilization of a pitch foam;

Figure 17 is a graph illustrating weight gain from the enhanced oxygen flow of the device of Figure 16;

Figure 18 is a graph illustrating the pressure/temperature cycle for making a pitch foam preform in accordance with the present invention;

25 Figure 19 is a graph of the increase in density as the material of the present invention is densified;

Figure 20 is a graph illustrating the brake effectiveness of friction coefficient of a friction material of the present invention; and

Figure 21 is a graph illustrating the braking torque curve of a friction

brake applications include the pressurization and sudden release of pressure and the addition of blowing agents and the like to thermoset or thermoplastic

- 5 -

thousands of microns in length, 10-20 microns in diameter or width, and interconnected voids or openings, controllable in size, of tens to hundreds of microns in diameter, and for some such applications 10-30 microns in diameter. The foamed material, if thermoplastic, is made thermoset by subjecting it to oxidative stabilization which essentially makes it nonfusible and less volatile thereby maintaining the foam structure without collapse during subsequent carbonization, heat treat and densification processes. For some high temperature thermoplastics stabilization can be reduced or eliminated completely. For thermoplastic materials, stabilization of the foam preform is performed in air at temperatures between 150 and 300 °C. The stabilized foam is then carbonized by slow heating to 900-1600 °C to produce the carbonized preform. Following carbonization, an optional graphitization or heat treatment process may be performed to generate additional porosity amenable to subsequent densification and/or modify the strut properties. The preform is then densified by CVD, HIP, PIC, VPI, pitch or resin injection, or combinations thereof, and intermediately or finally graphitized to convert the densified matrix carbon to a graphite form.

The process may be generally described by the following steps:

- Precursor: Thermoset (potentially graphitizable) or thermoplastic (typically graphitizable)
- Foaming: Supersaturation with gas or chemical blowing agents
- Stabilization: Oxygen stabilization for foams produced from thermoplastics
- Carbonization: Conversion to carbon at 900-1800 °C
- Optional Heat Treatment: Graphitization at 1600-2800°C of the foam to modify strut properties and/or bulk porosity of previously densified preforms
- Densification: Multiple CVD; PIC; HIP; VPI, pitch or resin injection, or combinations thereof (with optional addition of friction modifiers)
- Heat Treatment: Graphitization of the composite to modify properties at 1600-2800°C

#### Making Foam Preforms

A material suitable for foaming is Mitsubishi AR pitch. This is a synthetic naphthalene derived pitch which is 100% anisotropic mesophase. The naphthalene pitch precursor is a coal tar derivative. A good overview of this material has been presented by Mochida et al., "Carbon Fibers From



-7-

The naphthalene pitch precursor is a coal tar derivative. A good overview of this material has been presented by Mochida et al., "Carbon Fibers From Aromatic Hydrocarbons", Chemtech, February 1995, page 29. AR pitch is prepared by the catalytic polymerization of naphthalene using an HF/BF<sub>3</sub> catalyst.

In general, anisotropic mesophase is the intermediate product which occurs during thermal pyrolysis of certain aromatic hydrocarbons. Suitable mesophase pitch precursors can include petroleum, coal tar or synthetic precursors. As the hydrocarbon is heat treated in inert gas, it condenses to large, planar molecules, usually with evolution of hydrogen. These molecules may have a molecular weight of 500-1000 or more and a carbon/hydrogen ratio of about 1.5. As the molecules grow, they nucleate and grow a liquid crystal phase, called the mesophase, which appears as optically active spheres in an isotropic matrix. Figure 1 is a photograph of a polished cross section through a solidified pitch after heat treatment to a partial mesophase; see Murdie et al., "Carbon-Carbon Matrix Materials", Carbon-Carbon Materials and Composites, Noyes Publications, Park Ridge, NJ, 1993, pages 105-167. The liquid crystal phase can be thought of as the stacking of planar molecules, as an intermediate step in forming graphitic platelets. A 100% mesophase material would consist entirely of this liquid crystal material.

During shear, as in fiber spinning, the mesophase crystals are aligned by the shear strain. That is, during the process of forming the fiber by extruding the material through a die, the platelets are all aligned in more or less the same direction. This is illustrated schematically in Figure 2.

The present invention comprises the rationale that foaming causes similar shear strains in resin and/or mesophase pitch precursors as those produced during extrusion through a die. Thus, the mesophase material is aligned due to the shear which occurs locally during the formation of the foam. This alignment is a good graphitization structure.

We have demonstrated that this alignment occurs, as can be seen in Figure 3. A sample of M to pitch AR pitch in pellet form was pressed in a

- 3 -

die. It was heated to 300°C and immediately pressurized with 800 psi of carbon dioxide (pressure should generally be above 500 psi). It is preferable that the temperature be about 10-50°C above the softening point of the material. It was then held at temperature for 60 hours, cooled to 275 °C, held for less than two hours, and the pressure was released. Because the mesophase is optically active, it is possible to see the alignment of domains around the bubble in the figure. Striations are seen in the upper left strut in Figure 3. It can be seen from the striations in the struts between the pores that there is a significant amount of orientation of the mesophase structure, giving fiber-like microstructure.

#### *Preparation of Mesophase Pitch Foams*

To prepare pitch foams for commercial applications, it is expected that an extruder will be used. Extrusion systems for preparing thermoplastic foams are well known. A typical extrusion system for preparing foams is shown in Figure 4. Cold pitch is placed in a hopper 30, and the screw 32 drives the material to the right. Through a combination of heating and shear, the polymer is melted. Next, the polymer is degassed, by pulling a vacuum at a port 34 on the barrel. Then, the extruder 28 pressurizes the polymer, up to the injection port 36. Adjacent the injection port 36, inert gas such as nitrogen or carbon dioxide is admitted at port 37 to the extruder 28 at controlled pressure and flow rate. From this point forward, pressure is maintained high to prevent foaming inside extruder 28. The pitch/gas mixture is transferred to the cooling extruder 38, where heat exchange systems extract heat as the pitch is transported toward the die. At the die exit or port 39, pressure is suddenly released, and foaming occurs.

#### *Pressure/temperature cycle for foaming*

A typical pressurization/depressurization cycle used for the resin and or pitch in an extruder have been simulated using a 1 gallon Parr autoclave. 15-30 gram samples of the resin were used without other additives. Design of experiment and trials in an extruder adapted for this purpose have been accomplished in order to obtain a good pore size and strut structure.

- 4 -

The general cycle for autoclave experiments is shown in Figure 5. All experiments can be described by these curves. First the temperature is raised, as though the pitch were being melted in the extruder. Then, there is a hold at temperature while degassing occurs. Then gas pressure is applied. The pitch is then cooled to the blowing temperature, as though in the cooling part of the extruder. Then the pressure is released, as though the pitch were exiting the die. The soaks are much longer than expected for an extruder because there is no mixing. Typical time in an extruder is of the order of 10-20 minutes, while the time in the autoclave is of the order of several hours.

The reason for this cycle is based on what is shown schematically in Figure 6. Gas is dissolved at high temperature, e.g. 300°C, where dissolution kinetics are high, and the pitch is a liquid due to melting. Gas dissolution lowers the viscosity and essentially melting is completed. Then the temperature is lowered to about 265°C, where, under pressure, the viscosity is still low. The dissolved gas plasticizes the pitch. When the pressure is released, the plasticizing effect goes away. There is simultaneous bubbling and freezing of the structure.

During the initial high temperature soak, the pitch is allowed to sit at 1 atmosphere pressure, with a nitrogen purge before and/or after pressurization. This is found to be necessary to allow volatile matter in the pitch to escape. Otherwise, the volatile material acts as an uncontrolled blowing agent, and nonuniform pore sizes are obtained.

It has been discovered that keeping the foam material warm, between approximately 60-120°C, until carbonization is important in order to prevent cracking of the foamed material. Although the foamed material will be brittle if allowed to cool below this range, the material may still be utilized in the subsequent process steps disclosed herein.

Following foaming, a suitable process is required to remove the

Isotropic thermosetting foams can be produced by a number of alternative foaming processes, eg. supersaturation of gas, and chemical blowing agents. With this approach, there is no need for stabilization.

#### Stabilization

5 When a foam is made from a thermoplastic such as a mesophase pitch, it may be necessary to crosslink the foam by oxidation before it can be heated to carbonization temperatures. Without this oxidation (stabilization) step, the pitch may melt when it is heated. This problem is well known. Carbon fibers made from pitch are stabilized by heating in an air oxidation  
10 oven. Failure of the oxidation step is readily seen when the foam bloats during the carbonization step. Use of solvated mesophase pitches offer the potential of foaming at low temperatures followed by carbonization at high temperatures without the need for stabilization.

One of the apparent difficulties with oxidation of a pitch foam is  
15 making sure that the foam has a sufficiently open cellular structure to allow oxygen to penetrate all of the pores during the oxidation step. An example of this kind of problem is illustrated in the following thermogravimetric analysis.

Two pieces of pitch foam, as blown, were prepared for  
20 thermogravimetric analysis. One sample was left as a piece of unmodified foam, and a second sample was ground in a mortar and pestle. They were heated at 5°C per minute to 170°C, and then held for 96 hours. The entire analysis was carried out in flowing air. Figure 7 illustrates differences in weight that provide clear evidence that there are many closed pores in the  
25 first sample of whole foam. During the oxidation, air is unable to penetrate the pores, therefore, oxidation occurs much more slowly. By grinding the material, all of the closed porosity is opened, and oxygen in the air readily penetrates the material of the second sample. Of course, this analysis or experimental approach is not satisfactory for production, and a means is  
30 needed to obtain open porosity of the foam which can be readily oxidized. Material of essentially 100% open porosity can be obtained, e.g. as described in Bonzam, et al US Patent 4,276,246. However, efforts to

- 11 -

directly blow a microcellular foam with a high fraction of open porosity have generally led to foams which are too weak

*First Method*

We believe that incomplete stabilization arises because some cells are closed. That is, they do not have an open path to the outside of the material. Thus, some means of opening the cells is required. By placing the parts in a pressurized atmosphere, either of two things may happen. The walls closing off the cells may break open due to high differential pressure, or the partial pressure gradient for oxygen will be increased locally to increase the rate of diffusion of oxygen into closed-off areas. Thus, complete stabilization can be achieved in a shorter time. A general method for practicing this portion of the invention comprises placing a foam preform produced from an isotropic or mesophase pitch in an autoclave filled with a nitrogen-oxygen mixture. The foam preform is subjected to one or more cycles of pressure up to 1500 psi while heating to between 100 and 300°C for up to 100 hours. During pressurization and heating, cell walls of the pitch material may be broken, and stabilization or crosslinking of the pitch may occur. It is foreseen that the fraction of oxygen in the mixture may range from .002 to .2.

As illustrated in Figure 8, a foamed sample 10 is enclosed in a pressure vessel 6, and the nitrogen-oxygen mixture 7 is admitted to the vessel through valve 8 regulated by pressure regulator 9. Pressure is monitored by a transducer 3 connected to a readout 21 of controller 20. The vessel 6 is heated externally by a heater 4, and temperature is sensed by a thermocouple 11 and controlled by the programmable controller 20. Pressure is relieved from vessel 6 via a vent 5. From this equipment, a process has been developed for opening the cells of the foam material to allow access to air. A sample of foam Mitsubishi AR pitch, was heated to 100°C, held for approximately 1 hour, and then pressurized with 1500 psi of oxygen. The pressure was released. This sample was then carbonized to 900°C, yielding a weight gain of 8.5%. The foam was then carbonized to 900°C in nitrogen (4 hour soak), yielding a weight loss of 21%. There was very little

evidence of bloating. Thus, the disclosed process yields a foam acceptable for subsequent densification. Several variations of the process may be used. One variation, illustrated schematically in Figure 9, would be to pressurize the vessel with standard air to 150-1500 psi for 1 minute to 1 hour, relieve the pressure and then ramp up to a temperature between 100 and 250°C. The temperature would be held for up to 96 hours, then the foam cooled and removed. This variation seeks to use the pressure to break the cell walls of the material, and then the application of temperature at one atmosphere would provide the desired stabilization. Another variation, Figure 10, is similar to the variation illustrated in Figure 9, except the temperature is raised first and then the pressure is increased. Another variation, Figure 11, would be to initially pressurize to 150-1500 psi and hold the pressure for the duration of the thermal cycle. The autoclave would be ramped to a temperature of between 100 and 250°C and held for 96 hours, then the foam material cooled and removed. This variation would effect simultaneously both cell wall opening and increased oxygen pressure gradient. The variation of Figure 12 is similar to that of Figure 11, except that the pressure is cycled.

Because the diffusion of oxygen into, and oxidation products out of, the foam structure can be very difficult, alternative methods of stabilization may be used. The difficulty of air to flow in and out of a foam is precisely the reason foams are used for thermal insulation. This problem may be exacerbated by the thickness of the struts. While the ideal struts are 10-20 microns thick, they may be as much as 100µm thick, compared to about 10µm thick for pitch fibers. Thus, diffusion of oxygen into the struts, once it is within the foam, is more time consuming than for fibers of similar materials. Thus, two methods other than the above oxidative pressurization method are disclosed below. Each provides a means to enhance the flow of oxygen in, and reaction products out, of the foam preform during stabilization.

#### *Second Method*

The preforms are placed in a metal chamber capable of being heated to at least 300°C, while simultaneously being evacuated to less than 250

torr (0.33 atmospheres). By alternately evacuating and admitting air, the depleted air and reaction products are removed with each cycle, and fresh air added. Thus, the reaction is speeded up greatly, as the part is always exposed to fresh reactant, and the products are removed, in accordance with *LeChatlier's Principle*.

An "iron lung" method is shown schematically in Figure 13. Parts or preforms 41 are stacked in the vacuum vessel 42, preferably with spacers between or on individual screens. The preforms are heated to the stabilization temperature, which may range from 150° to 300° C. Heating may be either external or internal to the vessel.

The entire cycle is envisioned to take less than 24 hours. During this time, a vacuum pump is alternately cycled on and off, extracting air and venting back through the port 42. The vessel is alternately pumped down to less than 250 torr, possibly as low as 1 torr, and then refilled with fresh air or other oxidizing gas up to 760 torr. One possible waveform for the pressure vs. time curve is shown in Figure 14. The pressure in the chamber is lowered 46, then raised 45, then held 44 near one atmosphere. Nominal times for the pumpdown and refill are of the order of 20 seconds each, with the hold 44 being about 5 minutes. This is not meant to exclude step functions, exponential, sinusoidal, or other waveforms. The maximum frequency is limited only by the pumping capacity, but we envision a reasonable range of frequencies to range from 1/minute to 1/hour. For each system there is an optimum frequency, depending upon part size, vessel size, choice of material, reaction rate, temperature, capital and utility costs. Part weight increases, according to the oxidation curve 43, to an optimal value around 8%.

An illustration of the comparison of weight pickup between the "iron lung" device and an air circulating (Blue M) oven, both operating at 240°C is shown in Figure 15. Initially the iron lung shows an increased weight

large enclosure. It is believed that when this method is scaled up to production level the enclosure or chamber will be substantially full of foam

such that the need for extracting reaction products and supplying reactive gas will be necessary.

#### *Third Method*

An alternative method to achieve the same objective would be to  
5 mount the parts or preforms in a furnace such that there is a high flow of gas through the part. In this method (the wind tunnel method), the parts are stacked in a container which has a pressure gradient. Air and/or oxidizing gas is admitted at one end, as well as at ports along the side, while simultaneously one or more vacuum pumps draw on the other end, creating  
10 a pressure gradient across the entire stack of parts. This achieves the desired objective by insuring reacting gas gets to the surface, and reaction products are removed simultaneously. The wind tunnel method is shown schematically in Figure 16. Air or other oxidizing gas is admitted at one end  
50. This gas may also be admitted along the sides 53. The preforms 51 are supported periodically by screens, which are not shown. The pressure drop across the vessel is achieved by drawing continuously with a high rate vacuum pump 52. The preform weight gain 54 is shown schematically in  
15 Figure 17.

Both methods could incorporate an internal scale to measure weight  
20 pickup, to provide a feedback variable which would indicate when the stabilization is substantially complete. We believe that both methods will accomplish the desired goals. The iron lung method may be easier to implement and operate from a manufacturing point of view, while the wind tunnel method is expected to be faster. Such carbonaceous foam materials  
25 may be densified subsequently with carbons, or other filler materials, to be used as thermal management materials, structural materials, or friction materials in automotive or aerospace applications.

Using a solvated mesophase pitch, a foam preform can be produced by the methods outlined above. Once removed, the "solvent" fraction of the  
30 mesophase ensures that the mesophase pitch has a higher softening point than the onset temperature of carbonization. Thus, the mesophase carbonizes before it can soften, thereby eliminating the requirement for stabilization.



### Carbonization

The next step in the process is carbonization. This process is generally well known to those skilled in the art. The stabilized polymer is heated in a retort under inert or reducing conditions until the hydrogen and oxygen in the molecular structure has been driven off. Typically, this process is performed by burying the foam preforms in a bed of activated carbon, enclosed in a superalloy retort with a sand seal. The retort is purged gently with nitrogen for approximately 1 hour, to accomplish several changes of the enclosed air. Then it is heated to 900°C in 10-20 hours, and thence to 1050°C in 1-2 hours. The retort is held at 1050°C for 3-6 hours, then allowed to cool overnight. Carbonization can be carried out up to 1800°C, however, the amount of additional hydrogen and oxygen removed during this treatment is expected to be small.

### Heat treatment

If it is desired to modify the mechanical, thermal, and chemical properties of the carbon in the struts, the preforms may be heat treated in the range of 1600° to 2800°C. The effect of such a treatment on graphitizable materials is well known. Higher temperatures increase the degree of order in the material, as measured by such analytical techniques as x-ray diffraction or Raman spectroscopy. Higher temperatures also increase the thermal conductivity of the carbon in the struts, as well as the elastic modulus. However, higher temperatures may also tend to decrease the strength somewhat.

The process of heat treatment of these materials is very similar to that used for carbonization. The preforms are again buried in activated carbon, to prevent oxidation of the high surface area foam. A carbon retort is used, since superalloys are not suitable for the high temperatures found in heat treatment. A continuous purge of nitrogen is typically used outside of the retort. In this process, we inductively heat a graphite susceptor which forms a shell around the retort, and then heat is radiated inward to the

at the rate of 50 °/hour up to 1100 °C is recommended to minimize thermal shock of the parts. The heating rate from 1100°C to the peak temperature

can be done at 100° per hour. A 4 hour hold at the peak temperature is recommended, to guarantee that all preforms reach the desired temperature. Cooling can be performed at the furnace's natural cooling rate, or controlled to a cooling rate of less than 100°/hour to minimize thermal shock.

#### Densification

The methods for densifying a carbon preform are well known to those experienced in the fabrication of carbon-carbon composites. The most obvious techniques are chemical vapor deposition (CVD) of carbon, also known as chemical vapor infiltration (CVI), and pitch impregnation followed by carbonization. A combination of these techniques are also used. Multiple cycles of densification are almost always required.

In a CVD/CVI process, the carbonized, and optionally heat treated foam preforms are heated in a retort under the cover of inert gas, typically at a pressure below 100 torr. When the parts reach a temperature of 900° to 1200°C, the inert gas is replaced with a carbon-bearing gas such as methane, ethane, propane, butane, propylene, or acetylene, or combinations of these gases. While the preforms are held in this environment, the carbon-bearing gases decompose, depositing carbon on the preforms, and releasing hydrogen to the furnace exhaust. Depending upon the pressure, temperature, and gas composition, the crystallographic structure and order of the deposited carbon can be controlled, yielding anything from an isotropic carbon to a highly anisotropic, ordered carbon.

A whole family of processes utilizing pitch impregnation are well known. Vacuum Pressure Infiltration ("VPI") is a method of choice for initially impregnating the pitch into the preform. The preform is heated under inert conditions to well above the melting point of the impregnating pitch. Then, the gas in the pores is removed by evacuating the preform. Finally, molten pitch is allowed to reinfiltrate the part, as the overall pressure is returned to one atmosphere or above. Typically on large scale operations, such as is carried out by FMI (Biddeford, ME), the pitch is heated in a separate vessel, from the preform. When it is time to infiltrate, the pitch is transferred by a closed pipe from the pitch reservoir to the vessel

- 17 -

containing the part by gas pressure. Typically the maximum pressure achieved is 1 atmosphere.

In preliminary experiments, VPI was performed by burying the part in solid pitch particles, heating under 1 atmosphere of inert gas until the pitch is fully molten. A vacuum is slowly applied (1 inch of mercury / minute or less) until the vessel is fully evacuated to below 25 inches of mercury. Then, the inert gas pressure is restored to the range of 1 - 100 atmospheres. The preform can be subsequently cooled or the carbonization step can be continued without delay.

Another method for infiltrating preforms with pitch is asymmetric pitch injection. In this process, a preform is infiltrated by flowing pitch through the part in a pressure gradient. When sufficient pitch has been absorbed, the process is halted.

Carbonization of the infiltrated pitch can be carried out either in a furnace, a hot isostatic press (HIP), an autoclave, or in a uniaxial hot press. In each of these techniques, the impregnated part is heated to the range of 600° to 1000° C, while maintaining an inert atmosphere in the pressure range of 1 to 1000 atmospheres. The higher the pressure, the higher the carbon yield achieved, although the biggest gains in carbon yield are achieved at moderate pressures, up to 5000 psi.

#### Heat treatment

An intermediate or final heat treatment to the preforms is usually applied to modify the crystal structure and order of the carbon. This process is typically very similar to the heat treatment of the foam, described above.

#### Final machining

Finally, the material is machined to the usable shape of a friction material or other structural component. An oxidation protection coating or treatment can be applied if desired.

### EXAMPLE FRICTION MATERIAL

A 100 gram sample of a 100% carbon preform was placed in an aluminum foil boat in the bottom of a 1 gallon steel pressure vessel. The vessel was slowly heated until the temperature

-18-

measured at the lid was 330°C. It is preferable that the temperature be about 10-50°C above the softening point of the material. In previous experiments, it had been found that the temperature at the resin was approximately 24° higher than the temperature at the lid. Pressure was increased to 1600 psi of nitrogen. After a short soak, the temperature was reduced to 290°, as measured at the lid, or 314° estimated at the resin. The part was held for 4 hours at 290°C, and then the pressure was rapidly relieved. The vessel was then cooled over a period of 6 hours to room temperature. The pressure / temperature cycle is shown in Figure 18. This foam preform had an open porosity of approximately 82%, and an average pore size of 300-350 μm.

The foam preform was then stabilized by heating in air in a Blue-M air circulating oven. The preform was slowly heated to 240°C (in about 10 hours), and then held for 96 hours at 240° with air circulation. The preform was then slowly cooled to room temperature.

The foam preform was then carbonized in a Huppert char furnace with a superalloy retort, using a sand seal, with the preform resting on a bed of activated carbon. The preform was carbonized in an inert atmosphere by heating as follows: The retort was purged gently with nitrogen for approximately 1 hour, to accomplish several changes of the enclosed air. Then, with the purge turned off, it was heated to 900°C in 15 hours, and thence to 1050°C in 1.5 hours. The retort was held at 1050°C for 4 hours, then allowed to cool overnight.

The foam preform was then densified with commercially available AlliedSignal 15V pitch using 4 cycles comprising a combined VPI (\*Vacuum Pressure Infiltration) and PIC (\*Pressure Impregnation Carbonization) process, as follows. The part was heated to 250°C while immersed in pitch. The vessel was evacuated to less than 100 torr. Then the vessel was pressurized to 1600 psi, and the part cooled under pressure. The final pressure at room temperature was 1100 psi. After inspection, the vessel was repressurized to 700 psi. The vessel was heated to approximately 600°C. During that time, the pressure reached about 2100 psi. The

- 17 -

experimental preform was charred by heating to 1050°C under nitrogen, using the same char cycle described above

The preform or part was reimpregnated with 15V pitch by immersing the part in powdered pitch, and heating to 250°C. The vessel was first  
5 evacuated to less than 100 torr, then repressurized to 1600 psi. Pressure was relieved before cooling in this case. After inspection and cleaning of the vessel, the part was replaced in the pressure vessel and the vessel  
10 pressurized to 700 psi. The vessel was heated to a peak temperature of 605°C, and the pressure increased to 1850 psi. The vessel was cooled under pressure, and the part removed. The part was once again charred by heating to 1050°C under nitrogen.

The part was reimpregnated a third time, again by heating to 250°C, evacuating, and repressurizing to 1600 psi. Following this, the part was charred under pressure to 600°C and 1960 psi, and cooled under pressure.  
15 Finally the part was charred under inert conditions, heating to 1050°C in nitrogen.

At this point, experimental dynamometer disks were machined from the part. A pair of rings were machined 2.188" O.D. 1.375" I.D. by 0.27" thick.

20 A fourth impregnation and carbonization was performed. Again, the rings were heated in powdered 15V pitch to 250°C. The vessel was evacuated, then repressurized to 1600 psi. The vessel was cooled under pressure. The pressurized carbonization was performed as before, first  
25 pressurizing to 700 psi, then heating to 600°C, allowing the pressure to rise to about 1900 psi. The vessel was cooled under pressure. The rings were charred, heating to 1050°C under inert conditions.

The part density through the above densification process is shown in Figure 19. A density of 1.4 g/cc was produced and is sufficient to demonstrate the principles of this invention.

The part was placed in a dynamometer and the dynamometer was accelerated to 6400 rpm, and then a pressure of 500 lb was applied. The pressure, torque, and speed are measured throughout each stop. The

brake effectiveness (friction coefficient) during this test increased from an initial value of approximately 0.1 to a stabilized value of about 0.26. The effectiveness is plotted in Figure 20. The process and experimental parts demonstrate clearly the capability of this material to perform as a friction material, as confirmed by the tests and characteristics of the material. With additional optimization of the process, this friction material and its performance can be improved.

The torque performance of this experimental friction material has many desirable characteristics. A typical torque curve of the friction material during a braking stop is shown in Figure 21 which also illustrates the pressure and velocity curves. The torque curve is smooth, and declines gently at the end of the stop. In current conventional materials, frequently the torque curve increases at the end of the stop, leading typically to undesirable increased noise and vibration.

The wear for this friction material was measured and is listed below.

	<u>Value</u>	<u>Units</u>
Average weight loss	.036	grams/surface/stop
Average linear wear	.000646	inches/surface/stop

The process and friction material of the invention disclosed herein, comprising a foam preform densified by any one or combination of several densification processes, clearly has significant potential for use in braking and clutch assemblies of numerous applications.

We Claim:

1. A process of manufacturing a carbon-carbon composite material, comprising the steps of providing an open-celled carbon foam preform, and densifying the preform with carbonaceous material to provide the carbon-carbon composite material.
2. The process in accordance with Claim 1, further comprising the step of making the foam preform from a mesophase pitch.
3. The process in accordance with Claim 1, wherein the foam preform is one of a graphitizable and a nongraphitizable foam material.
4. The process in accordance with Claim 1, further comprising the step of carbonizing the preform prior to densification.
5. The process in accordance with Claim 4, further comprising the step of oxygen stabilizing the preform prior to carbonization.
6. The process in accordance with Claim 1, wherein the step of densifying comprises one of CVD, HIP, PIC, VPI, pitch and resin injection, and any combination thereof.
7. The process in accordance with Claim 1, wherein the cells have an average pore size of less than 500 $\mu$ m.
8. A carbon-carbon composite material made in accordance with Claim 1.
9. A carbon-carbon composite material, comprising a cellular, graphitized supporting structure surrounded by densified carbonaceous material.
10. The carbon-carbon composite material in accordance with Claim 9 wherein the carbon-carbon composite material comprises a disc of an aircraft brake.
11. A process of manufacturing a friction material, comprising the steps of providing an open-celled carbon foam preform, and densifying the preform with carbonaceous material to provide the friction material.
12. The process in accordance with 11, further comprising the step of oxygen stabilizing the preform prior to carbonization.

-22-

14. The process in accordance with Claim 11, wherein the step of densifying comprises one of CVD, HIP, PIC, VPI, pitch and resin injection, and any combination thereof.

15. A friction material made in accordance with Claim 11.

5 16. A process of foaming a carbonaceous pitch material to provide a reticulated foam with an average pore size of less than 500 $\mu$ m, comprising the steps of increasing the temperature to approximately 10-50°C above the softening point of the material and subsequently increasing the pressure to at least approximately 500 psi, holding the approximate temperature and pressure  
10 for a period of time, and releasing the pressure so that the pitch material foams to produce a carbonaceous, open-celled foam material with an average pore size of less than 500 $\mu$ m.

17. The process in accordance with Claim 16, further comprising the step of purging with nitrogen during one of before and after the pressurization  
15 step.

18. The process in accordance with Claim 16, further comprising the step of purging with nitrogen before and after the pressurization step.

19. The process in accordance with Claim 16, further comprising the step of keeping the carbonaceous, open-celled foam material warm until the foam  
20 material is carbonized.

20. A process of stabilizing a carbonaceous pitch material for subsequent high temperature heating, comprising the steps of increasing the pressure to the range of approximately 150-1500 psi and the temperature to the range of approximately 100-300°C in an oxygen containing atmosphere, holding at least  
25 one of the pressure and temperature approximately constant for a period of time, and then decreasing the pressure and temperature.

21. The process in accordance with Claim 20, wherein the pressure and temperature are both increased, held, and decreased at approximately similar times.

30 22. The process in accordance with Claim 20, wherein the pitch material is heated to and held in the temperature range for approximately one hour, and then pressurized to and held in the pressure range for approximately one hour.



-23-

23. The process in accordance with Claim 20, wherein the carbonaceous pitch material comprises a foam material kept warm within the temperature range of approximately 60-120°C.

5 24. A process for oxygen stabilization of a carbonaceous pitch-based foam, comprising the steps of placing the foam in an enclosure, heating the foam to a temperature within the range of approximately 150-300°C, periodically extracting an oxygen containing gas from the enclosure, and readmitting oxygen containing gas to the enclosure, to maintain a fresh supply of reactive oxygen containing gas within the enclosure.

10 25. A process for oxygen stabilization of a carbonaceous pitch-based foam, comprising the steps of placing the foam in an enclosure, heating the foam to a temperature within the range of approximately 150-300°C, admitting an oxygen containing gas at one end of the enclosure while simultaneously removing oxygen containing gas at another end of  
15 the enclosure, to create a pressure differential across the foam and maintain a fresh supply of the oxygen containing gas in the enclosure.

1/11

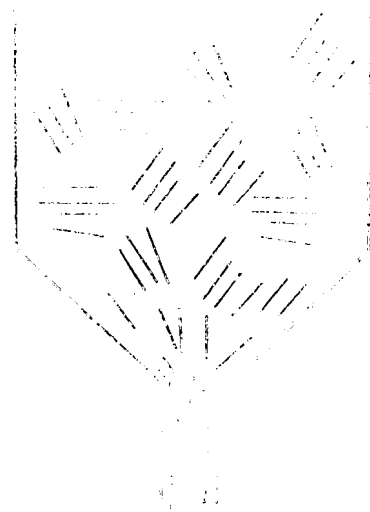
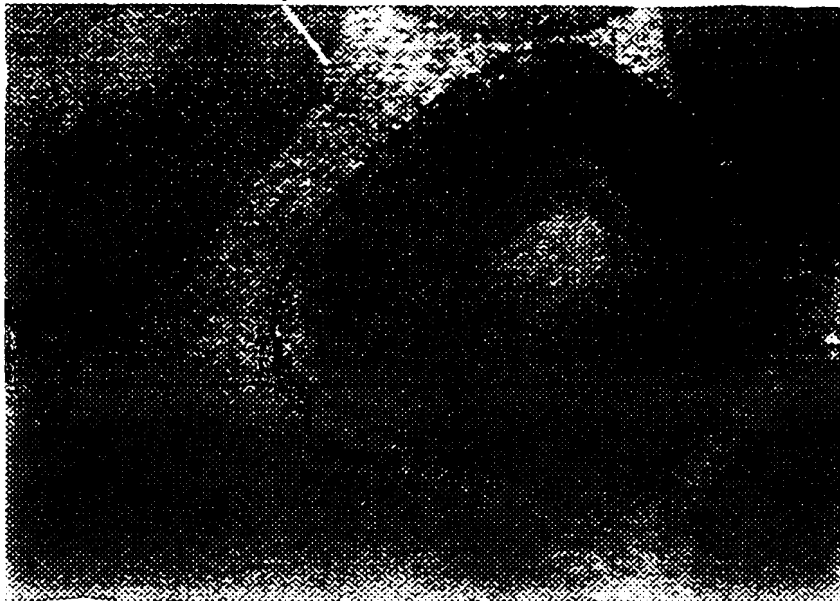


FIG. 2

2/11

STRUT



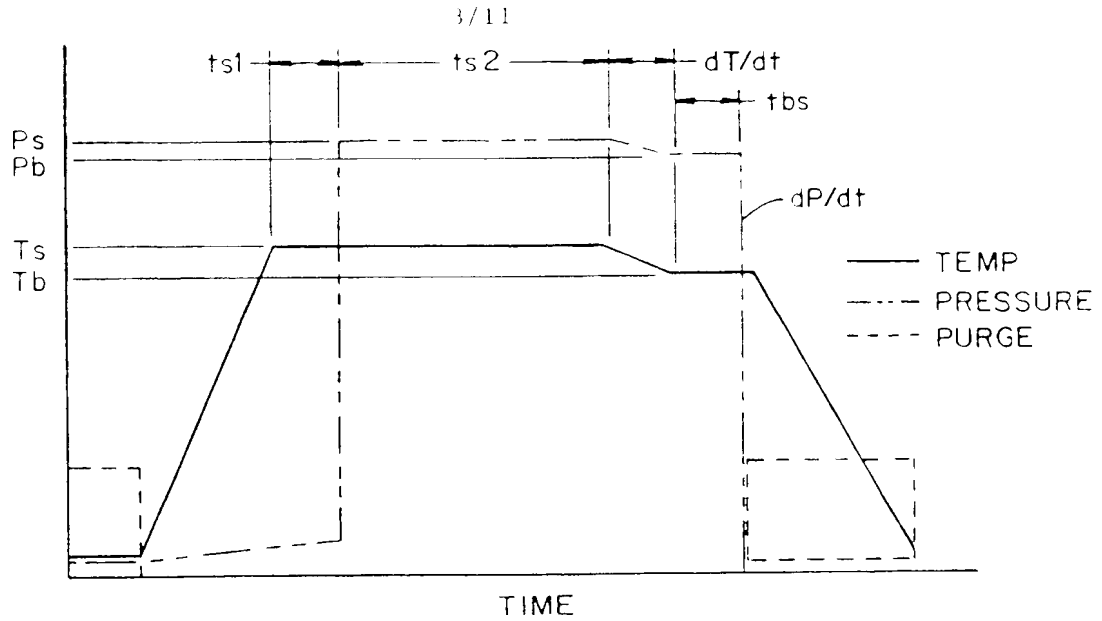


FIG. 5

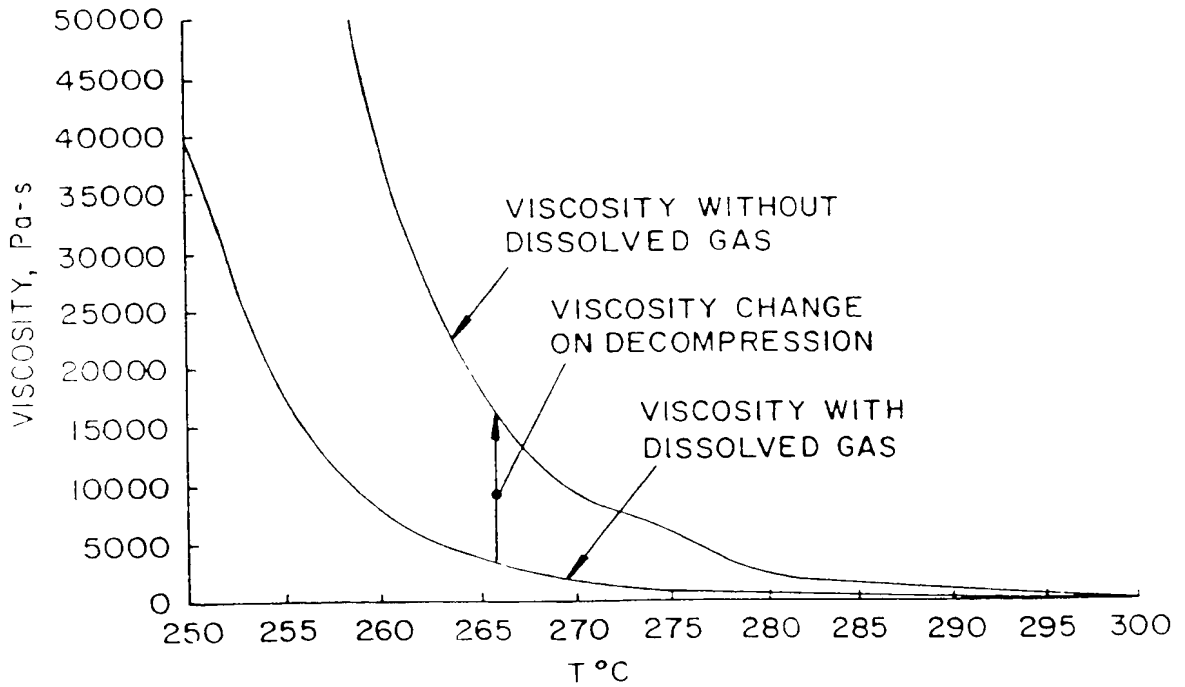


FIG. 6

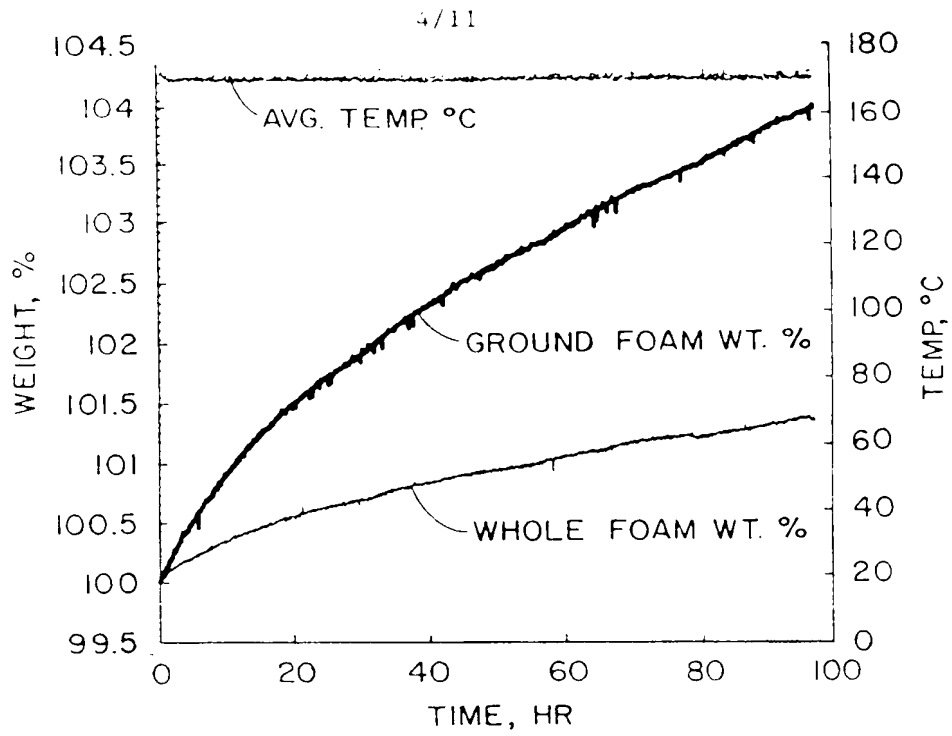


FIG. 7

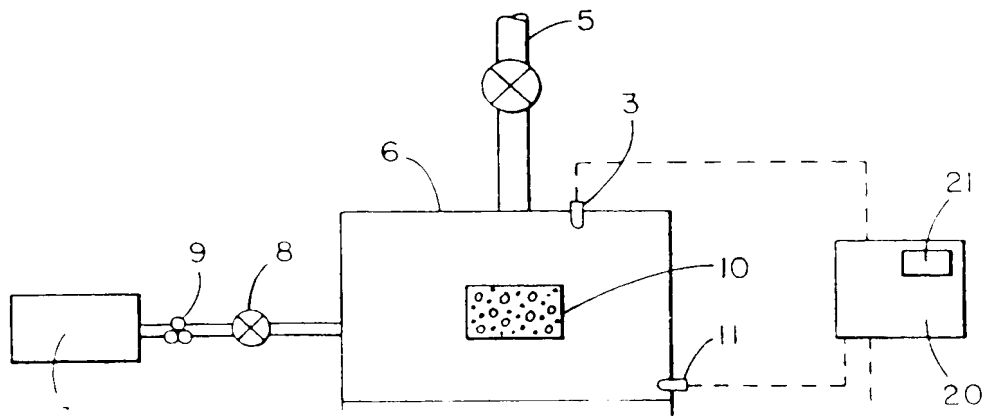


FIG. 8

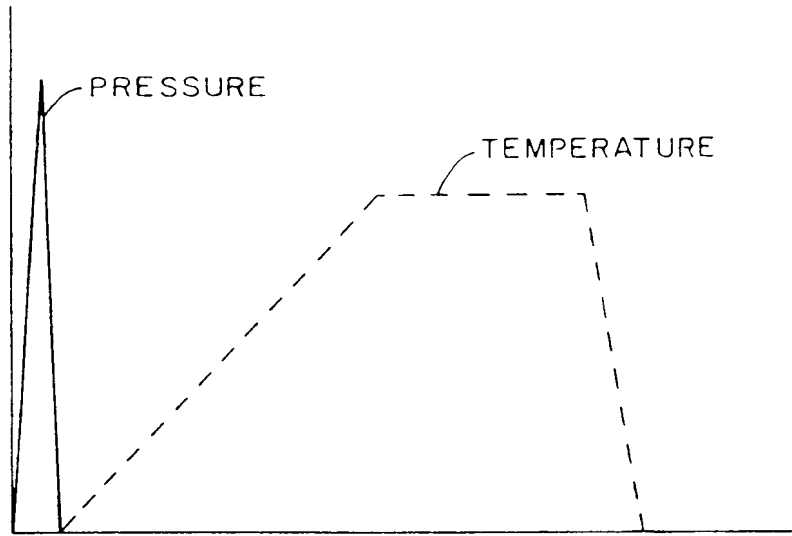


FIG. 9

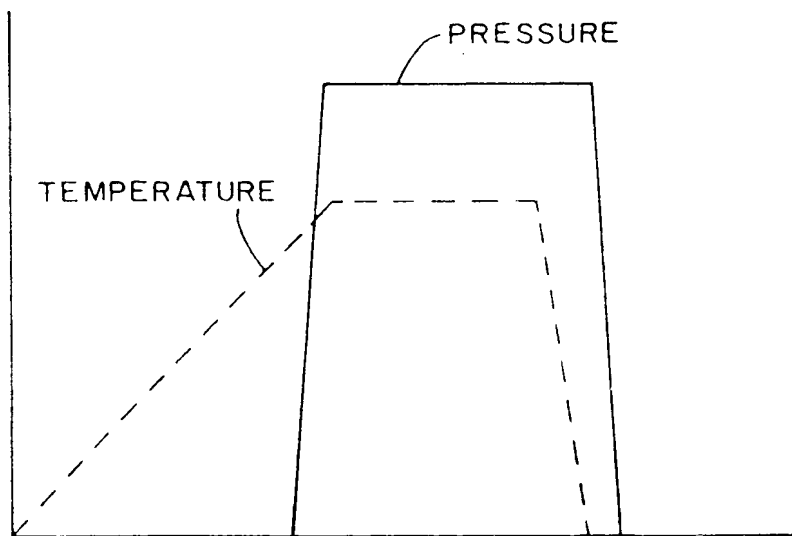


FIG. 10

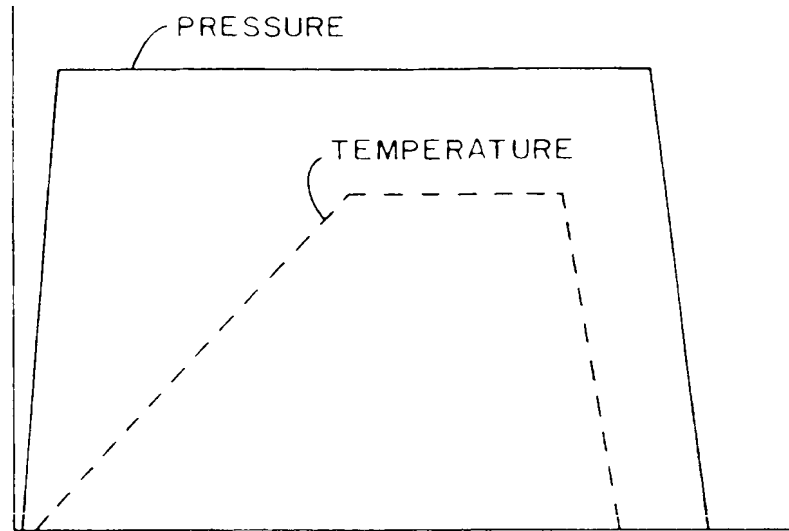


FIG. 11

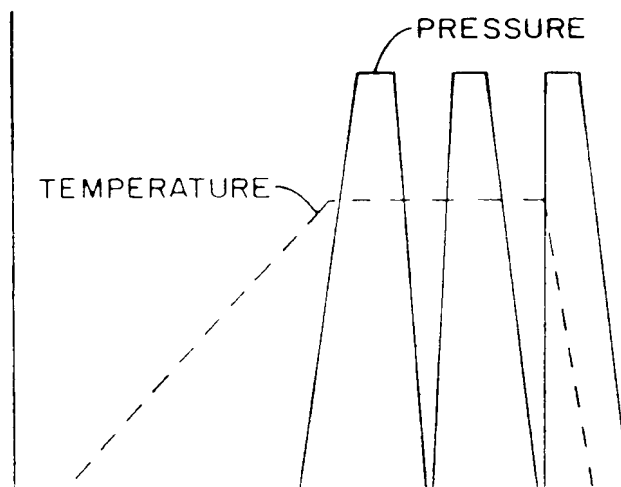


FIG. 12

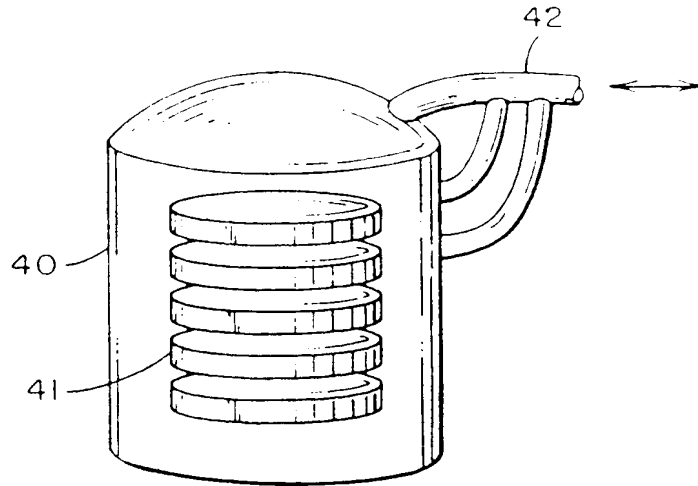


FIG. 13

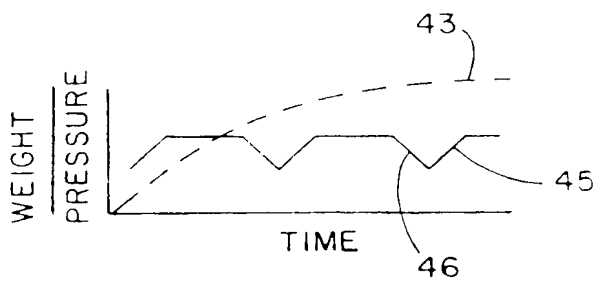


FIG. 14

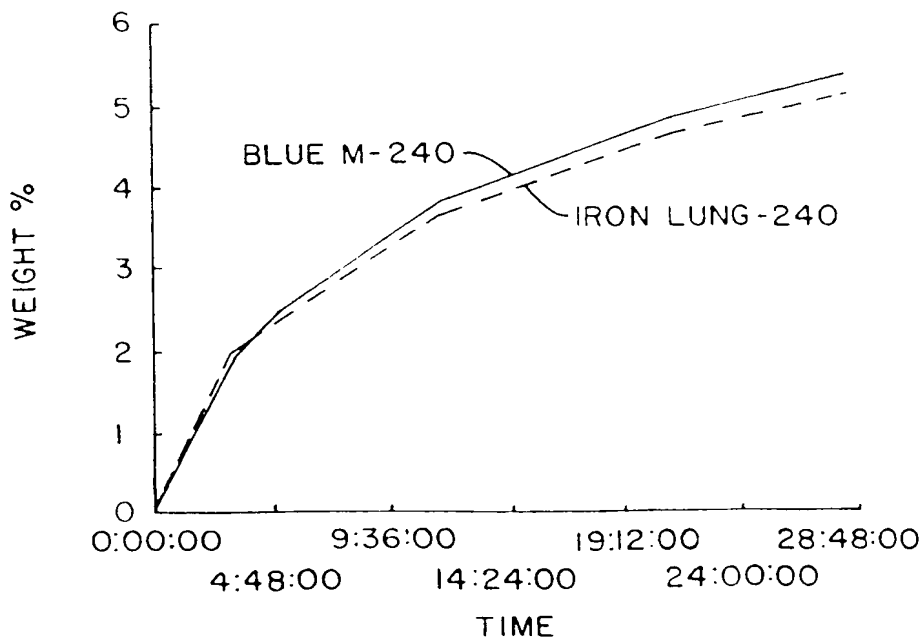


FIG. 15



8/11

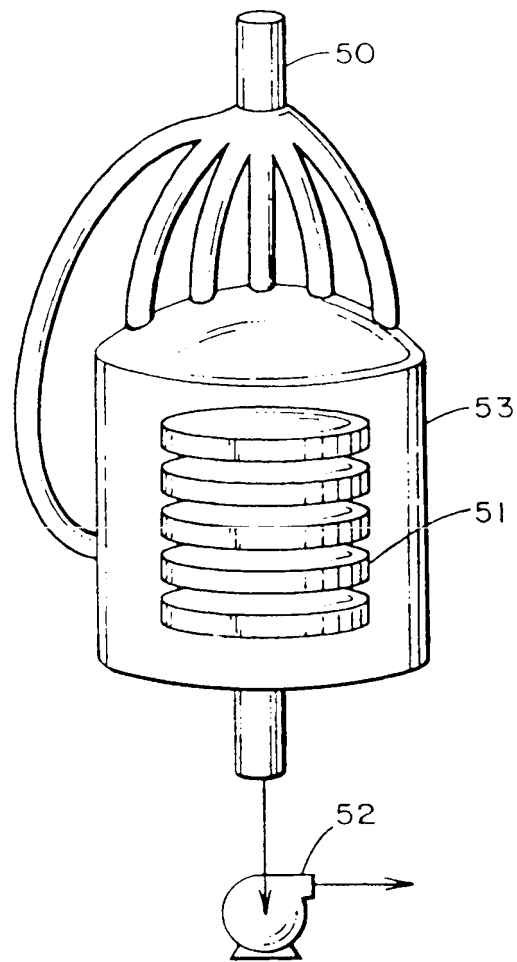


FIG. 16

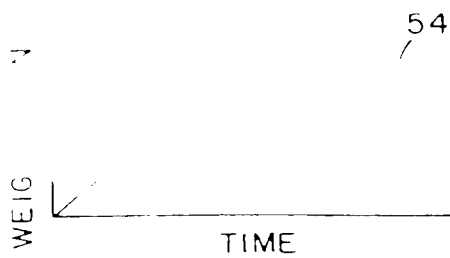


FIG. 17

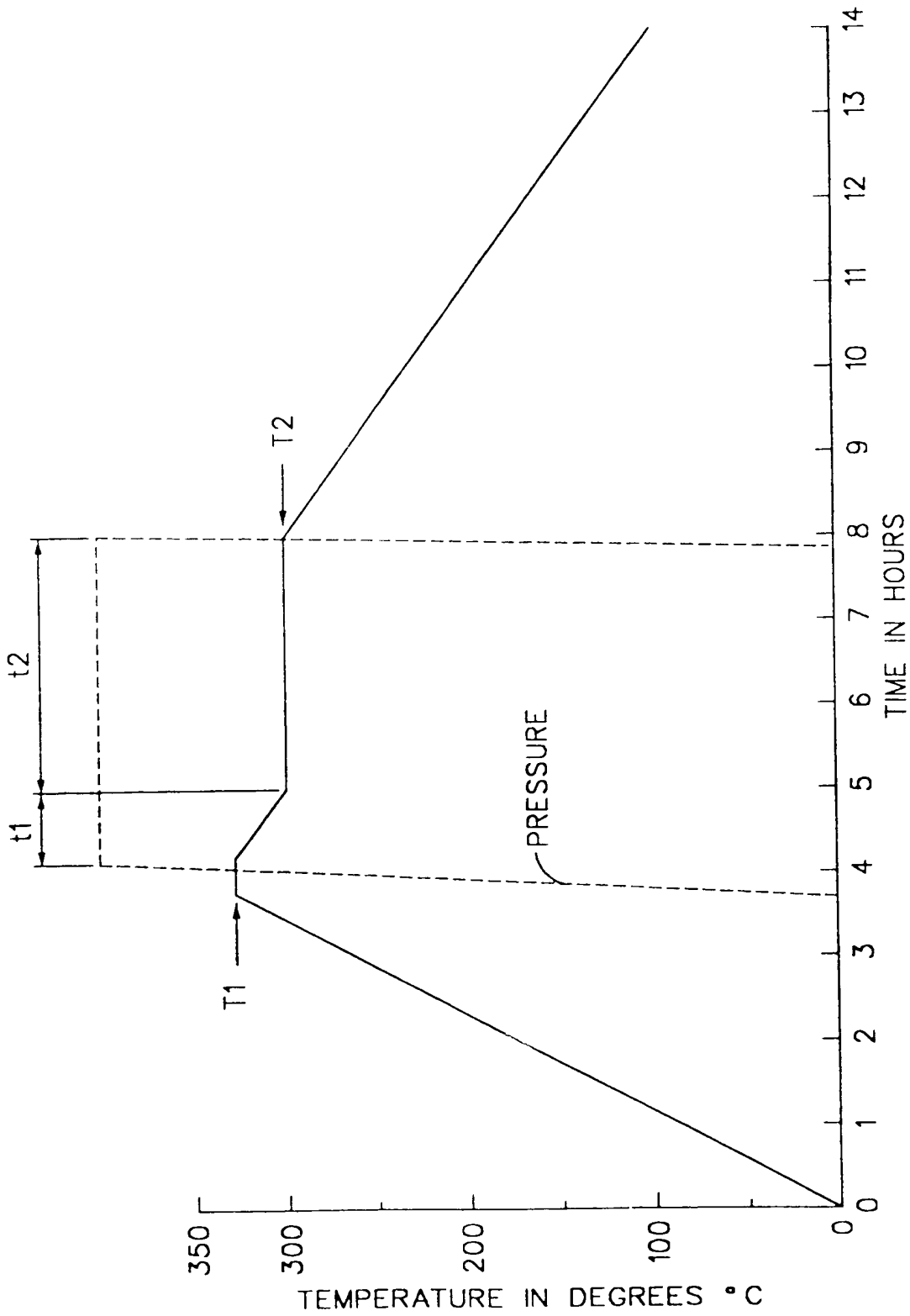


FIG. 18

10/11

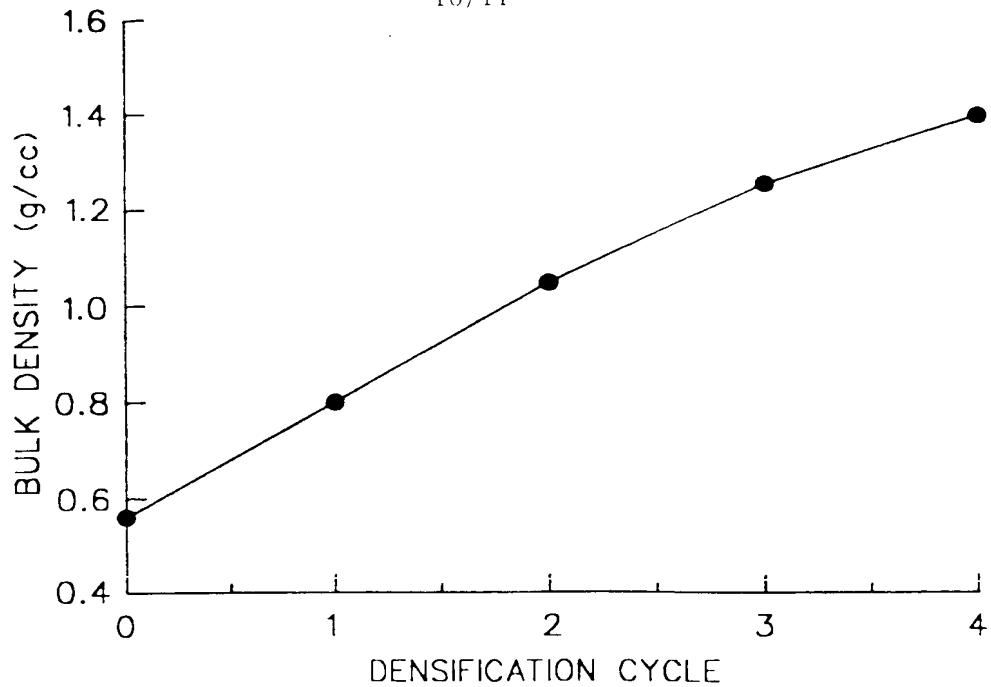


FIG. 19

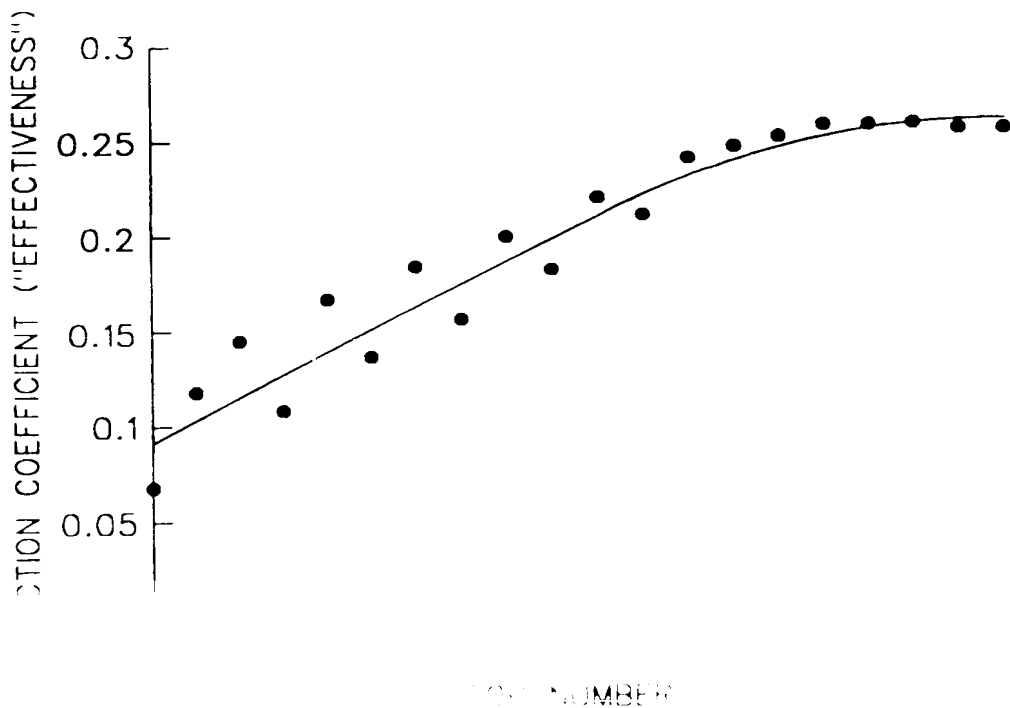


FIG 20

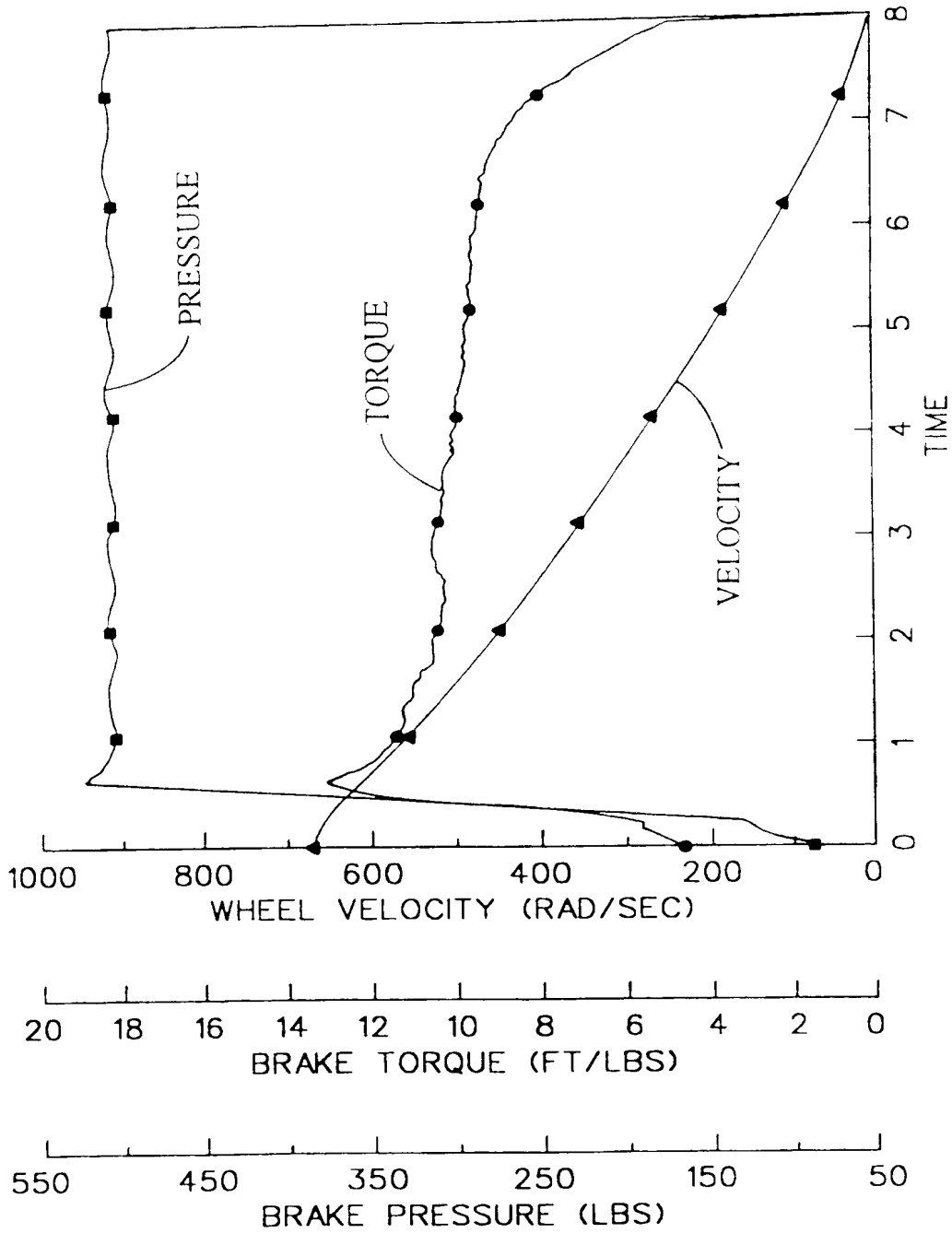


FIG. 21

# INTERNATIONAL SEARCH REPORT

International Application No.

PCT/US 97/22741

**A. CLASSIFICATION OF SUBJECT MATTER**

IPC 6 C04B35/52 C04B35/78 C04B38/00 C10C3/04 F16D69/02

According to International Patent Classification (IPC) or to both national classification systems:

**B. FIELDS SEARCHED**

Minimum documentation searched (classification system followed by classification symbols)

IPC 6 C04B C10C F16D

Documentation searched other than minimum documentation to the extent that such documents are included in the fields searched

Electronic data base consulted during the international search (name of data base and, where practical, search terms used)

**C. DOCUMENTS CONSIDERED TO BE RELEVANT**

Category	Citation of document, with indication, where appropriate, of the relevant passages	Relevant to claim No.
X	EP 0 562 591 A (UCAR CARBON TECHNOLOGY CORP.) 29 September 1993	1, 6, 8, 11, 14, 15
Y	see claims 6, 7, 10; example 7	2-5, 12, 13
A	---	7, 9, 10
Y	R. METHA, ET AL.: "Graphitic carbon foams: Processing and characterization" 1993, AMERICAN CARBON SOCIETY XP002061088 cited in the application	2-5, 12, 13
A	see page 104 - page 105	16-25
A	US 4 537 823 A (P.H. TSANG, ET AL.) 27 August 1985 cited in the application see claims 1, 2, 5, 7, 10	1-15

Earlier documents cited in the international search

Earlier family members cited in the international search

Special categories of cited documents:

A) document defining the general state of the art which is not considered to be of particular relevance

B) earlier document but published on or after the international filing date

C) document which may throw doubts on priority, validity, which is filed to establish the particular date of the invention or other special reasons as set forth

D) other special reasons as set forth

1) Earlier document published after the international filing date in priority date and first in conflict with the application but cited to understand the principle of the invention underlying the invention

2) Document of particular relevance, the claimed invention may be considered novel in light of such document, but not to give an inventive step when the document is taken into

3) Document of particular relevance, the claimed invention may be considered to give an inventive step when the

1 April 1998

17 04 1998

Name of the applicant (individual or body corporate)

Name of the inventor

# INTERNATIONAL SEARCH REPORT

Information on patent family members

International Application No.

PCT/US 97/22741

Patent document cited in search report	Publication date	Patent family member(s)	Publication date
EP 562591 A	29-09-93	DE 69306625 D US 5501729 A	30-01-97 26-03-96
US 4537823 A	27-08-85	AU 564663 B AU 3365584 A BR 8405889 A CA 1227608 A EP 0142683 A JP 60137615 A US 4605595 A	20-08-87 23-05-85 10-09-85 06-10-87 29-05-85 22-07-85 12-08-86